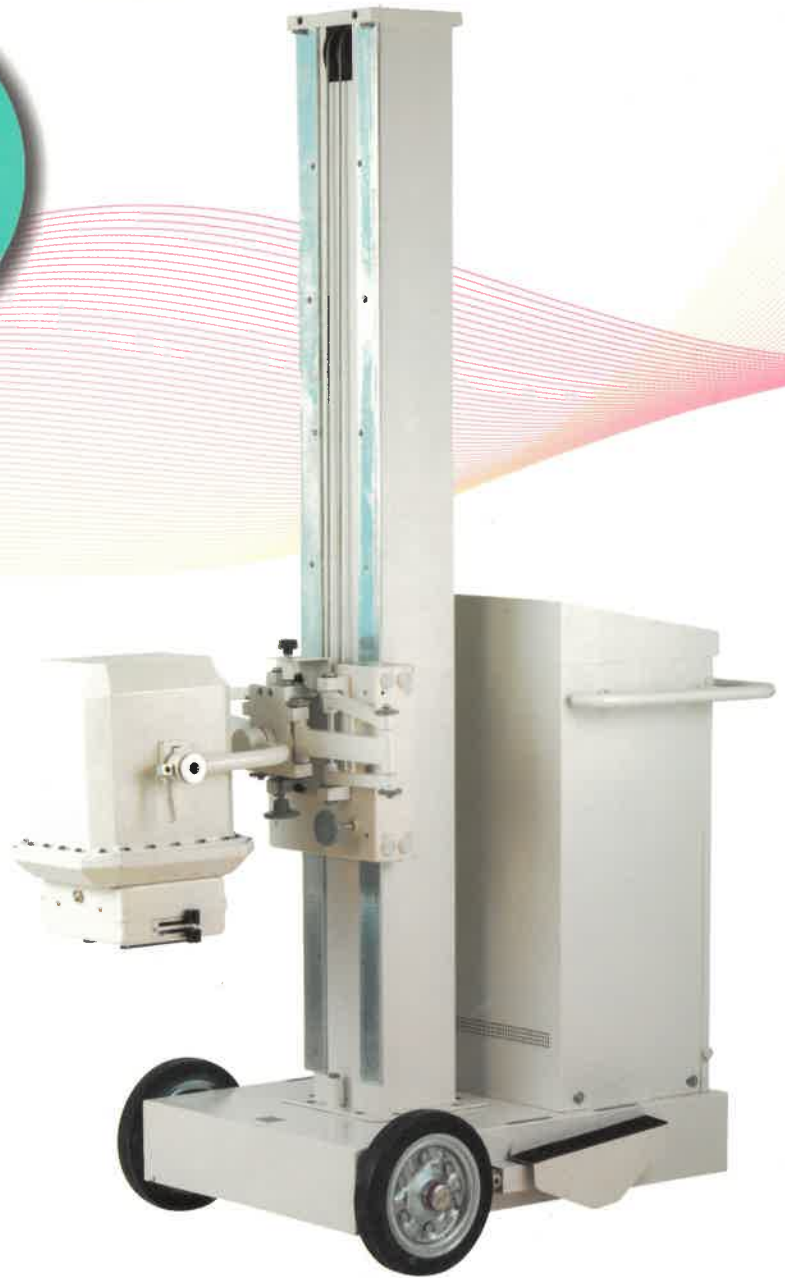
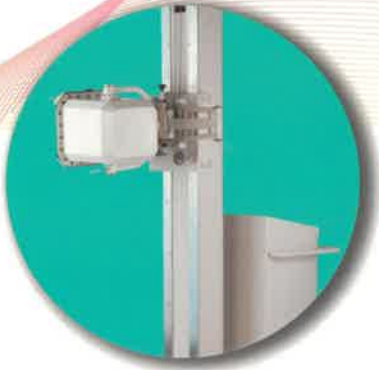
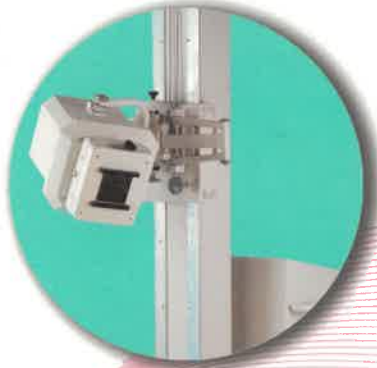
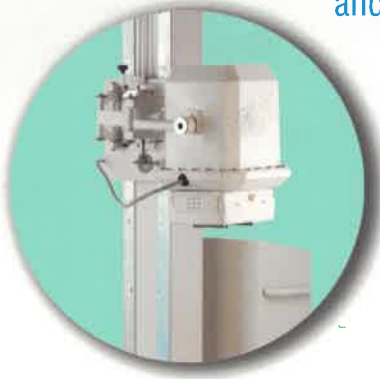


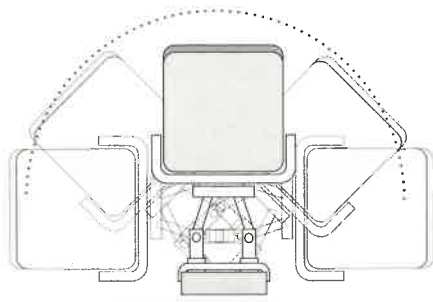
VISION 100A (HF)

An X-ray solution that's
A perfect blend of versatility, Mobility
and affordability.



"Superb!"

An Easy to Use X-ray System

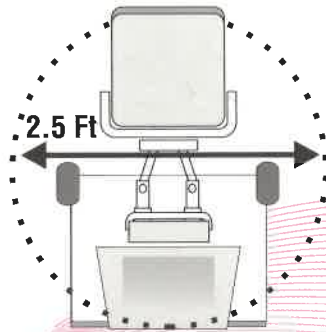


▶ 180° Rotation

Light, therefore easy to move

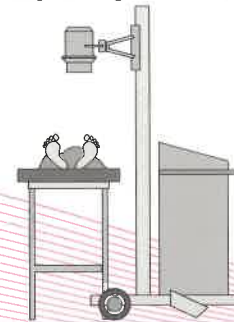


▶ 3- Wheel Design Easy Mobility



▶ Minimum Footprint

Easy sliding for convenience

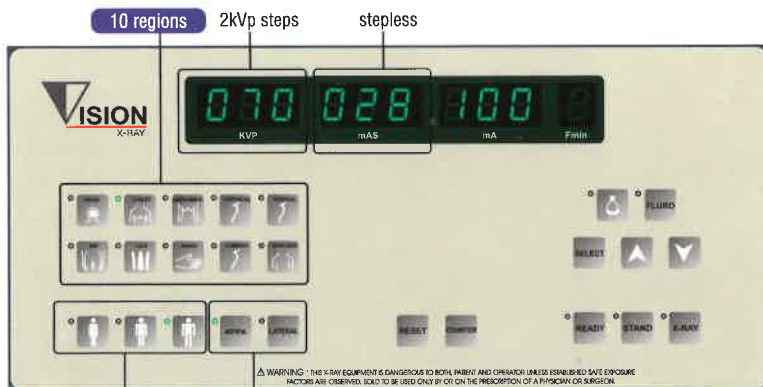


▶ Better Positioning

Vision 100A is an easy to use & low maintenance X-ray equipment :

1. Maximum Mobility & maneuverability, making the machine easy to move
2. Smaller foot print – Convenient to move through lifts & narrow corridor, into ICU's OT's & Wards suited for individual clinics, polyclinics.
3. Horizontal & Vertical travel of arms for better positioning for bedside & trauma.

"Briliant!"



3 types of thickness

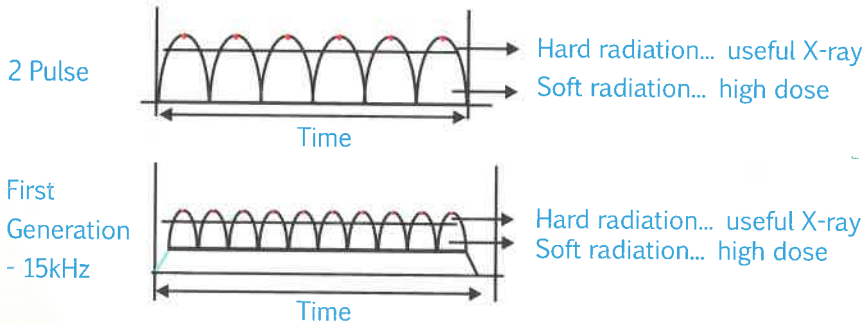
2 views

Micro Processor based digital control panel
Electronic feather touch membrane keyboard (One Million operations guaranteed)
Convenient auto program to help the Doctor attain better image quality.
Manual mode selection with independent Kvp., mAs display.
The Anatomical programs (APR) with graphic buttons contribute to intuition operation .

"Awesome!"

- 100A X-ray for great image quality with efficient dosage
- Better image quality
- Protection of patient & technician for excess radiation
- Low scatter radiation

Ultra-high frequency
Lesser unwanted radiation



200kHz benefits
More efficient X-ray
Consistent IQ

"Fantastic!"

Our best selling product, 100A promises great imaging at a affordable prices.

Also at par with International standards with :

1. Easy to operate features
2. Impressive image quality & contrast
3. Easy mobility & better patient comfort.



Also available with Fix Tube stand and table.



TECHNICAL SPECIFICATIONS

VISION 100 A (HF)

HF GENERATOR

Radiography Output 3.5KW
100mA

Tube Voltage

Radiography 40 to 100kVP (In steps of 1 KW)

Tube current

Radiography 100mA/50mA/25mA

Timer

Radiography 0.02 sec to 6 sec

Total Filtration 3.5mm with 1 MMAI Added

Leakage from HF Generator 0.240 mgy

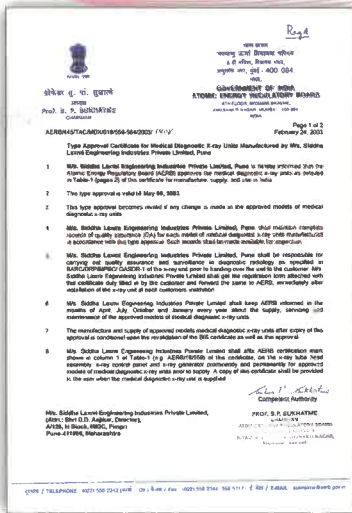
Power Supply

Single Phase 30VI 10%, 50/60Hz, 0.6 5KVA



Anatomical Programs (APR)

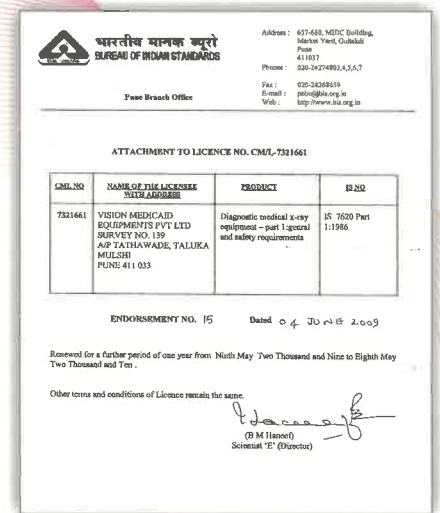
Light Vehicle Wheels



Certificate of approval from
Atomic Energy Regulation Board,
Government of India (BARC)



Certificate of
Compliance of ISO 9001:2015



Certificate of
Bureau of Indian Standards



A/102,H- Block, MIDC, Pimpri, Pune-411018.
Ph No. 020- 27472323
Toll Free No. 18002709694
e-mail:- sales@visionxray.com,
response@visionxray.com
Website:- www.visionxray.com